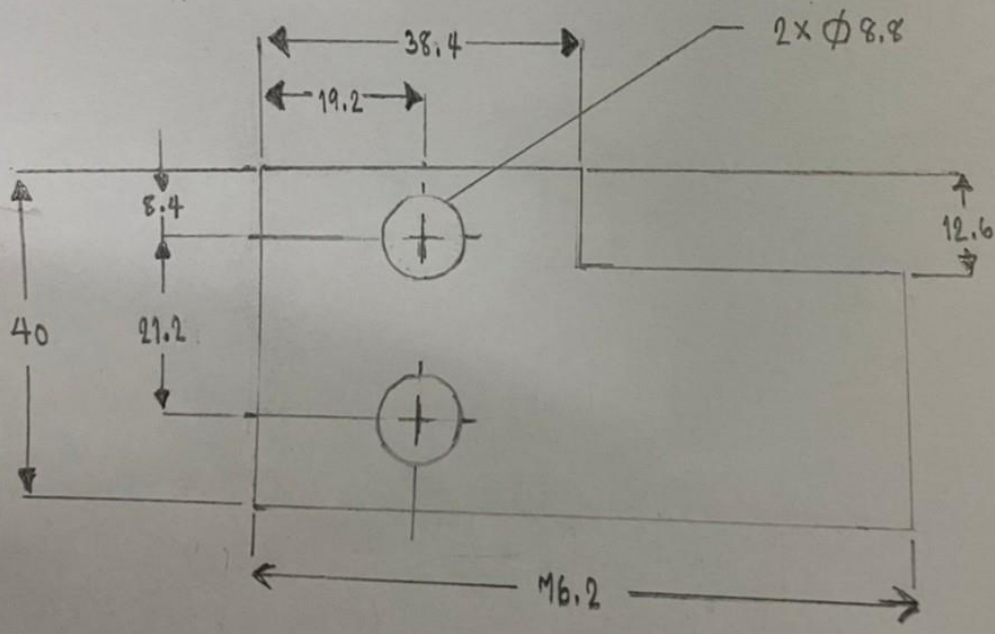


Handwritten text at the top of the page, possibly a name or address, which is partially obscured and difficult to read.

①

Handwritten text in the top right corner, possibly a name or title.

40639800

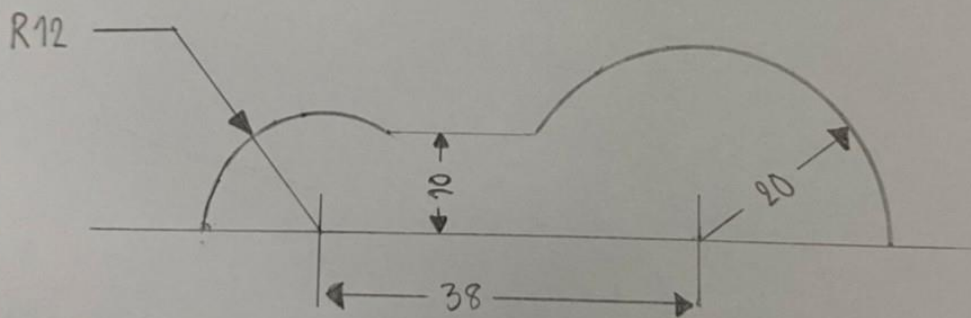


๒

๒

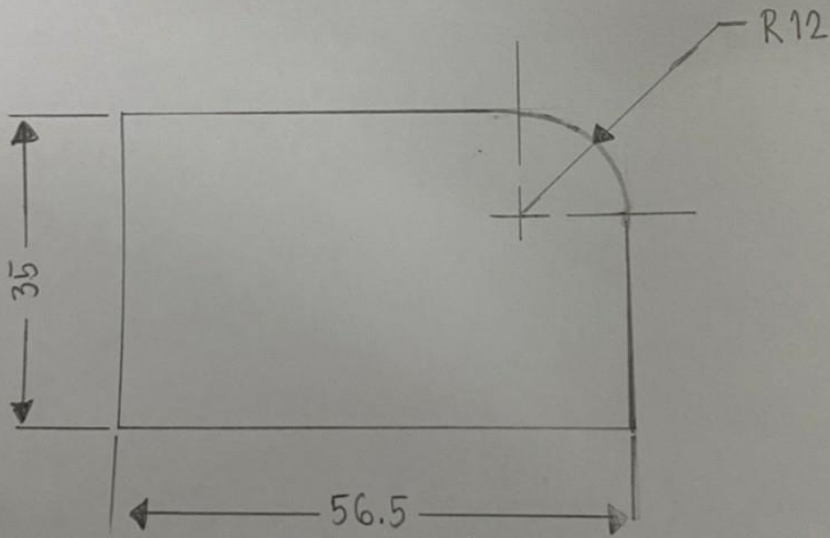
ฉันทน์ สส อีแอ

406398003



3

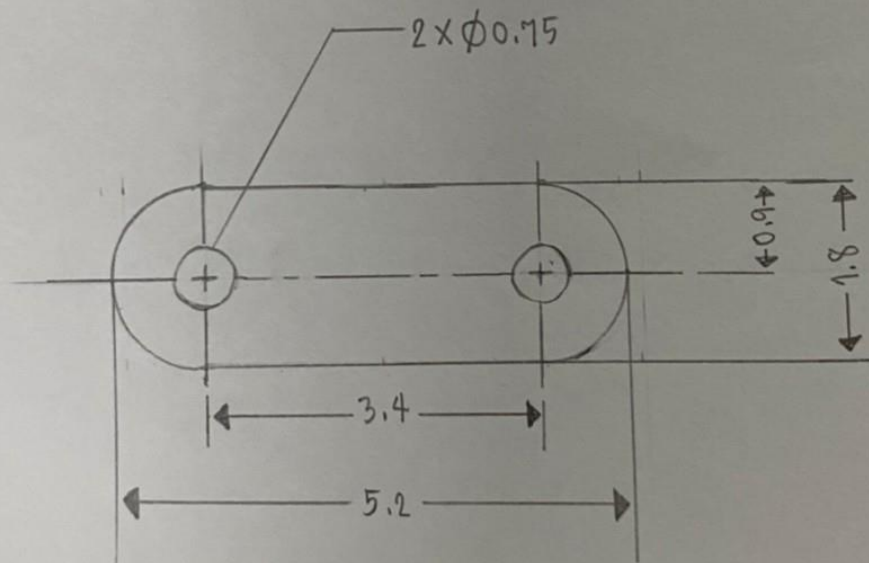
అక్షరాల శిల్పం
406398003



④

หน้าส่งสาร อีแม

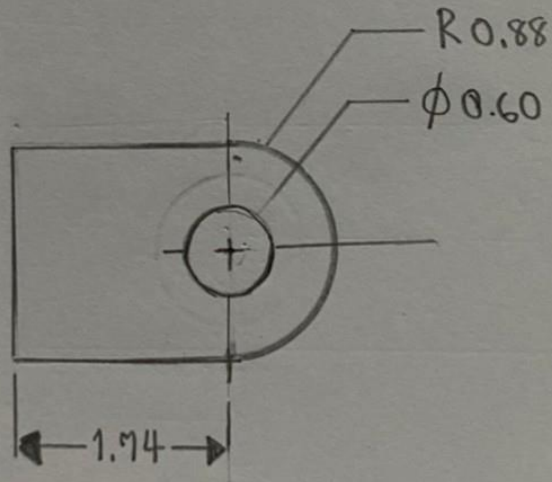
406398003



5

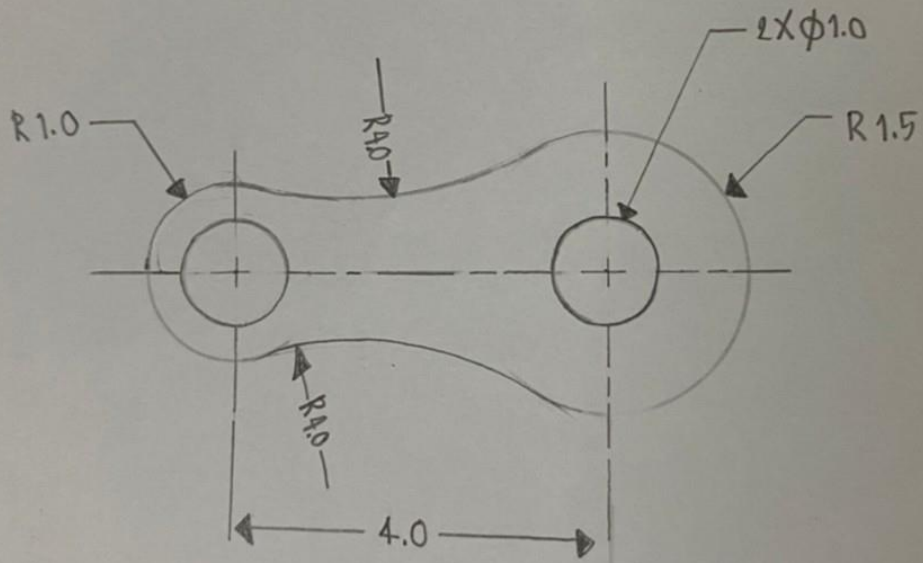
മെറ്റൽ വർക്ക് റീഡ്

406398003



6

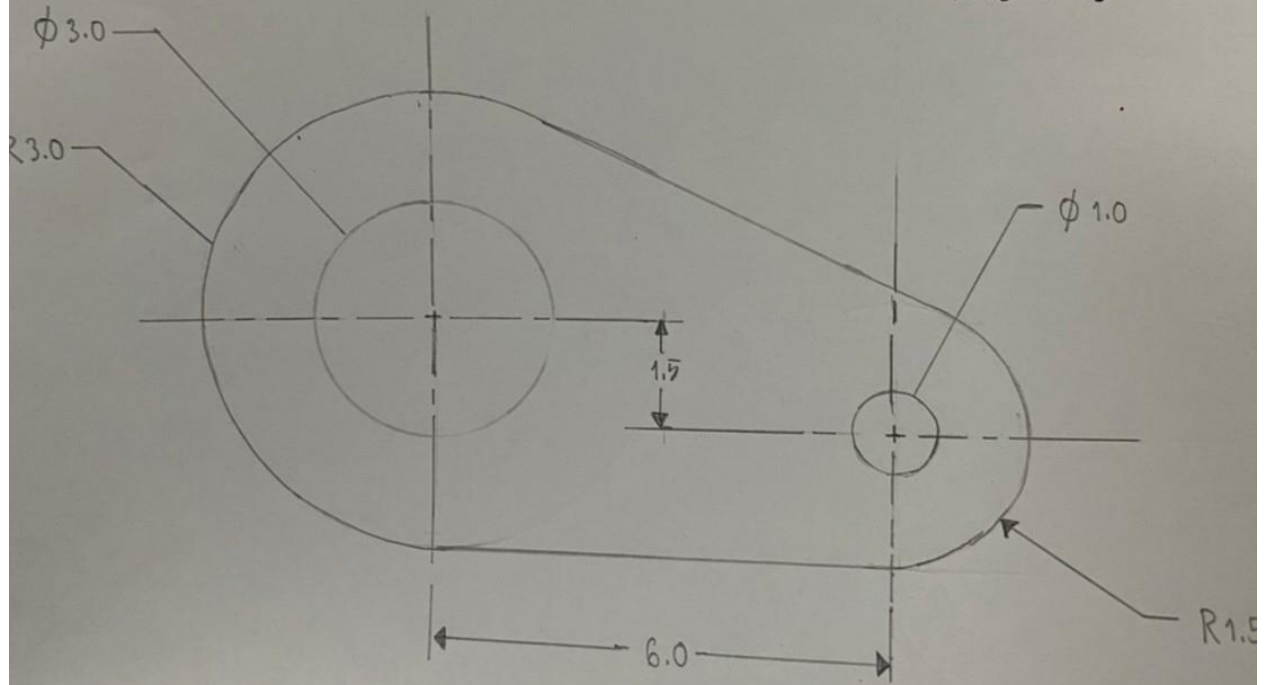
విద్యుత్తాపకం తీయాలి
406398003



(4)

ଉତ୍କଳ ବିଦ୍ୟାଳୟ ଓ.ଇ.ଏ

406398003

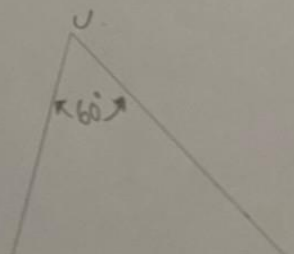
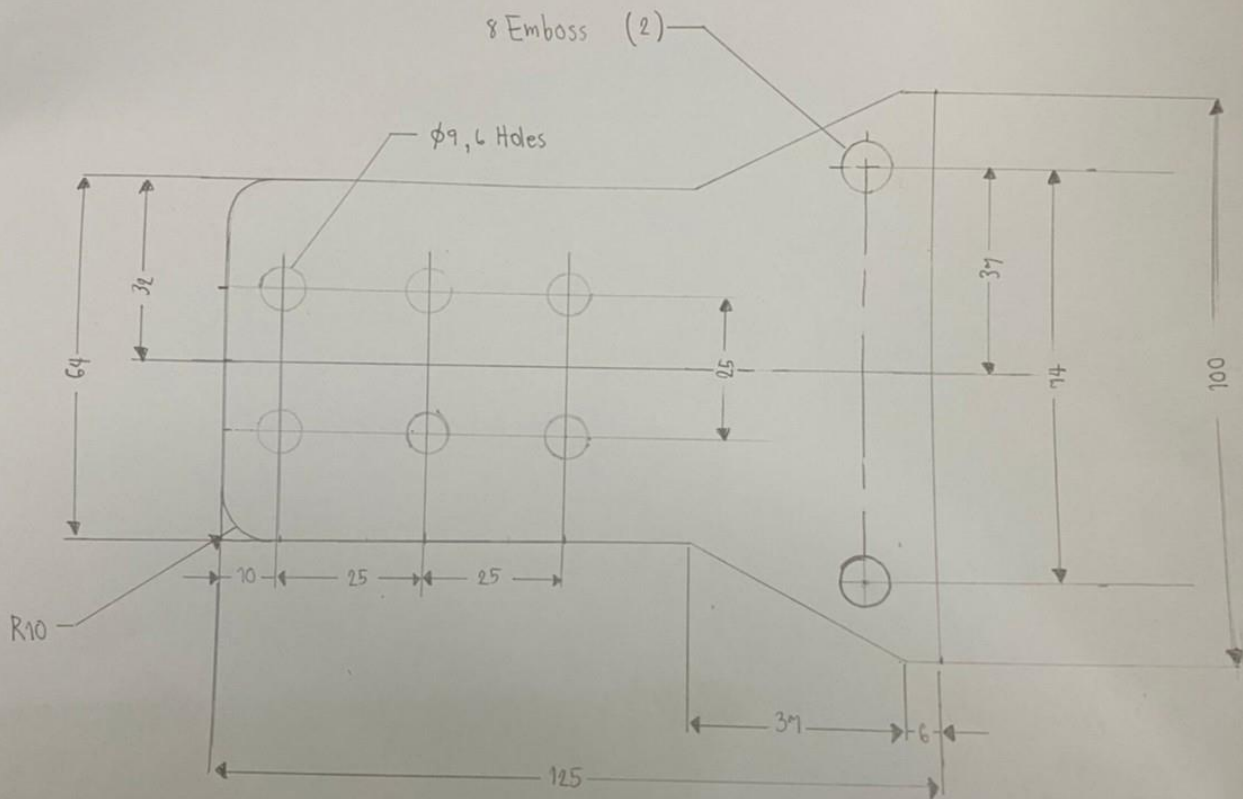


8

8

พงษ์ภัสสร อีแอม

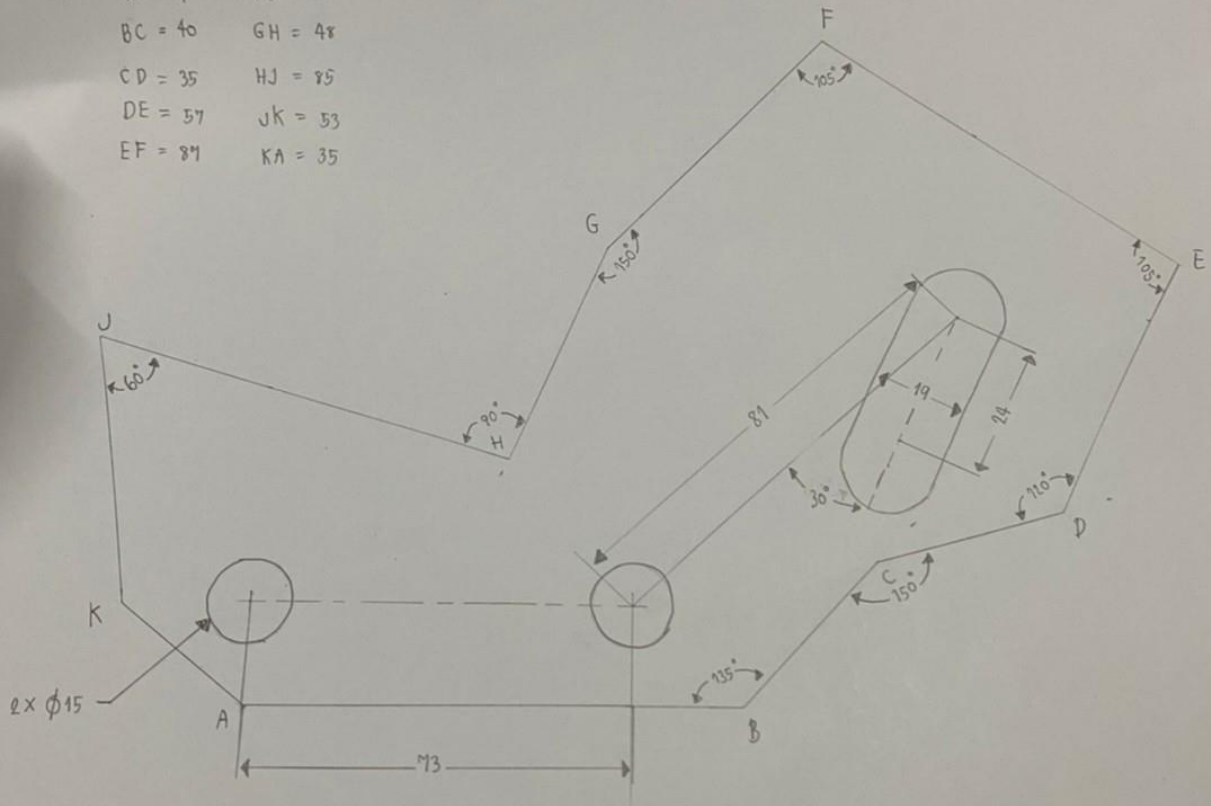
406398003



9

หน้าชื่อ อ. น. 0
406398003

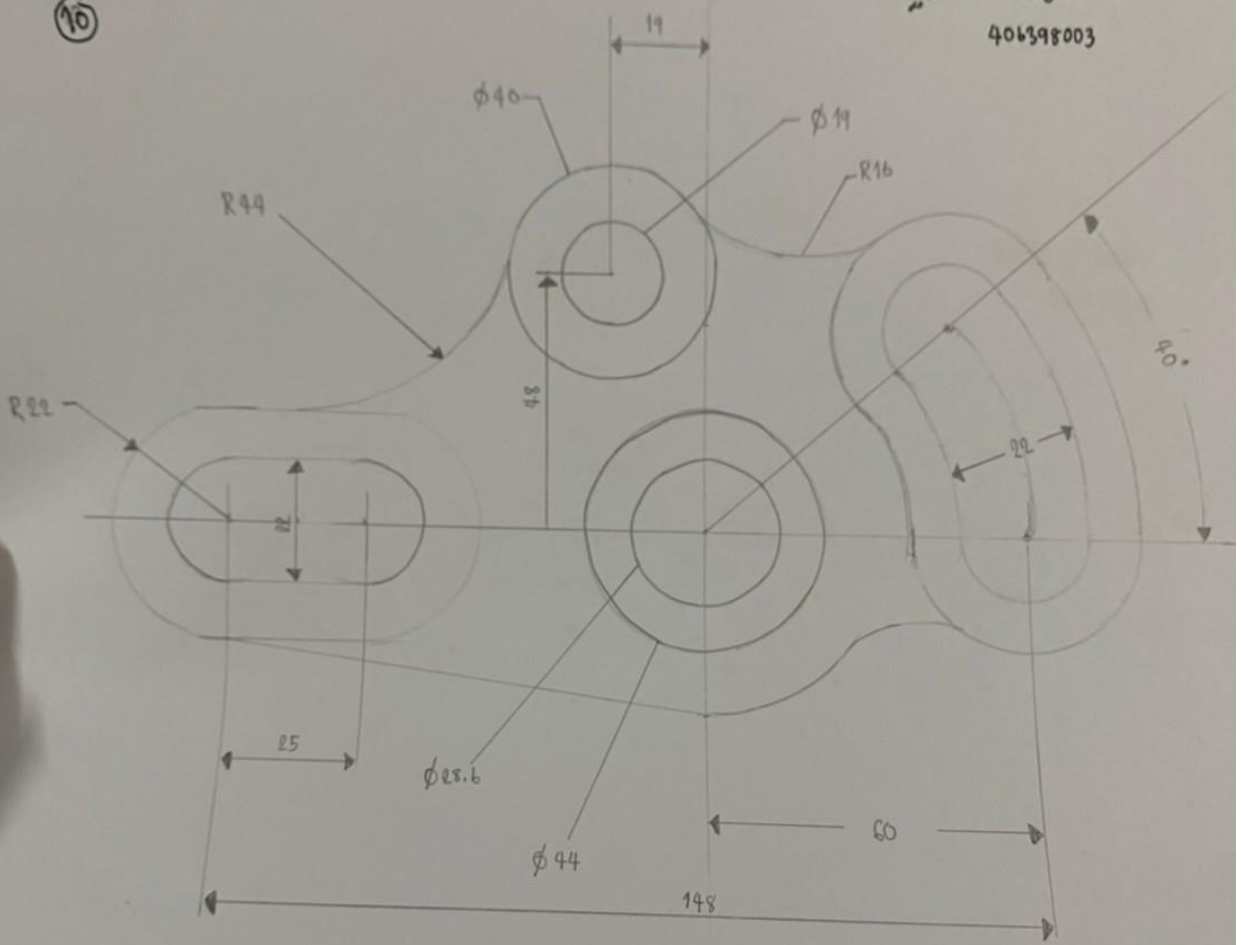
AB = 94 FG = 61
BC = 40 GH = 48
CD = 35 HJ = 25
DE = 57 JK = 53
EF = 81 KA = 35



၇၀

မိုးလှိုင်စိန်စိန်

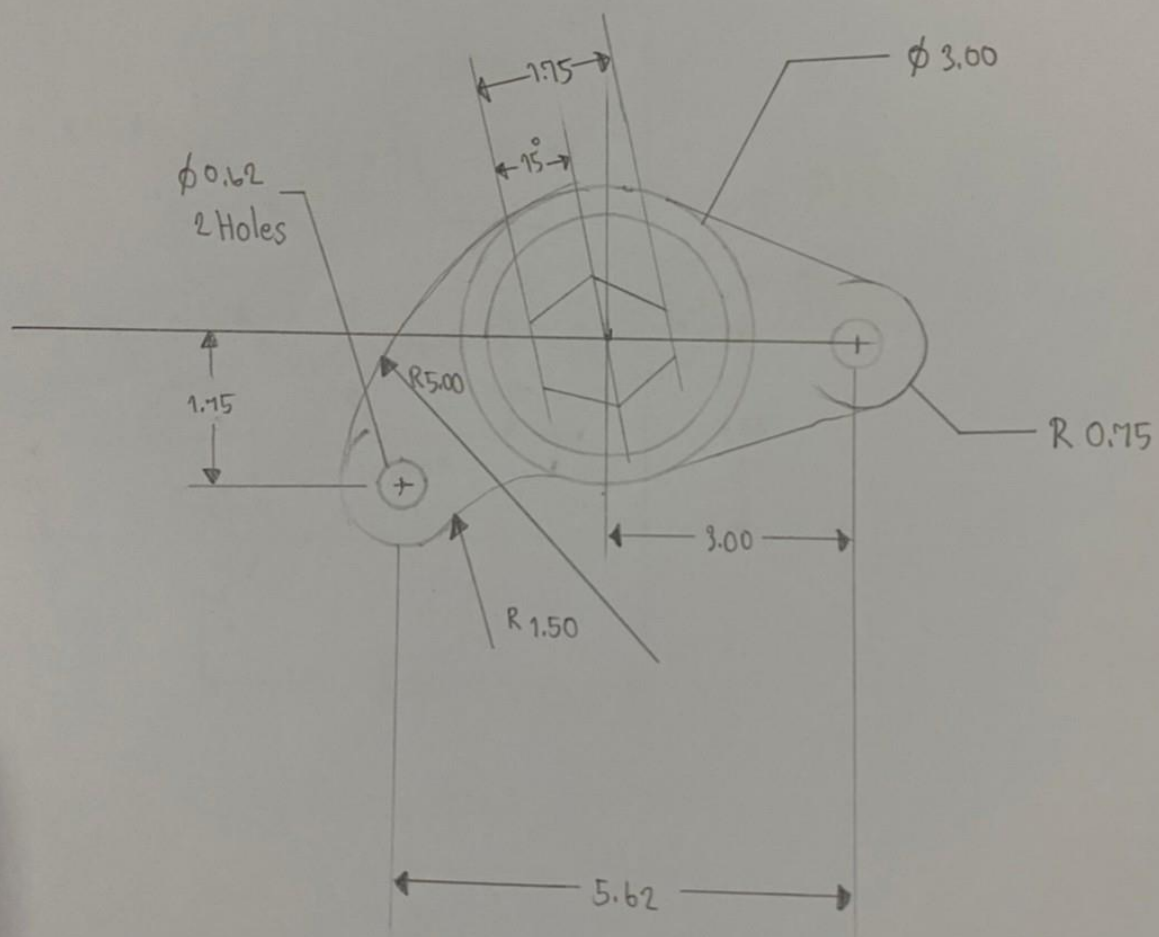
၄၀၆၃၄၈၀၀၃



11

గోళాకార తిలక

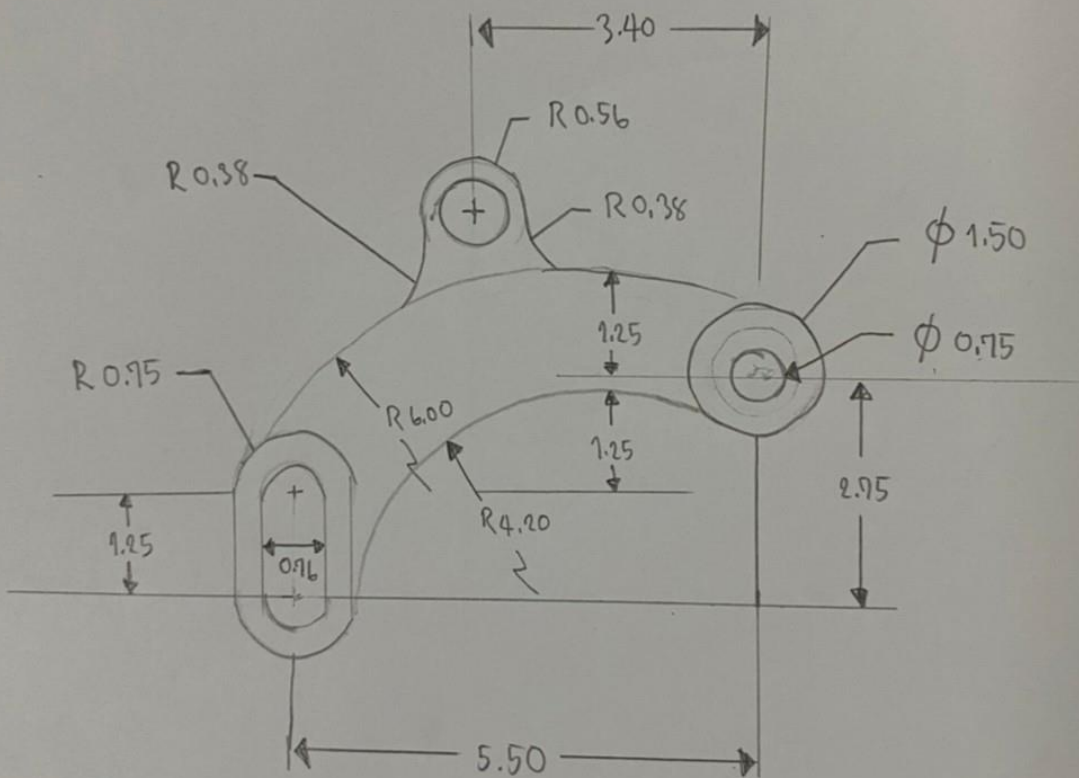
406398003



12

ณัฐกมล อีเนอ

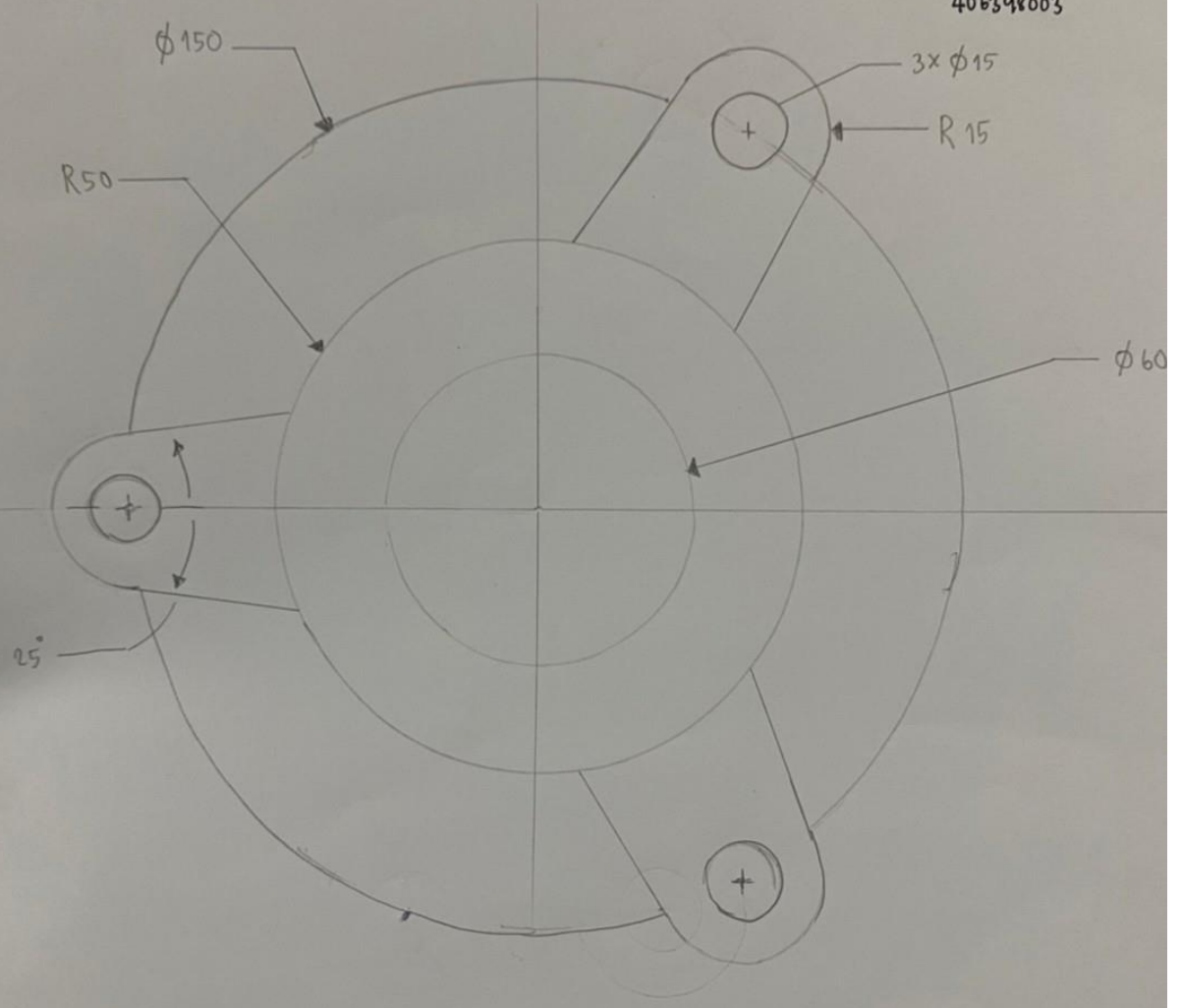
406398003



73

73

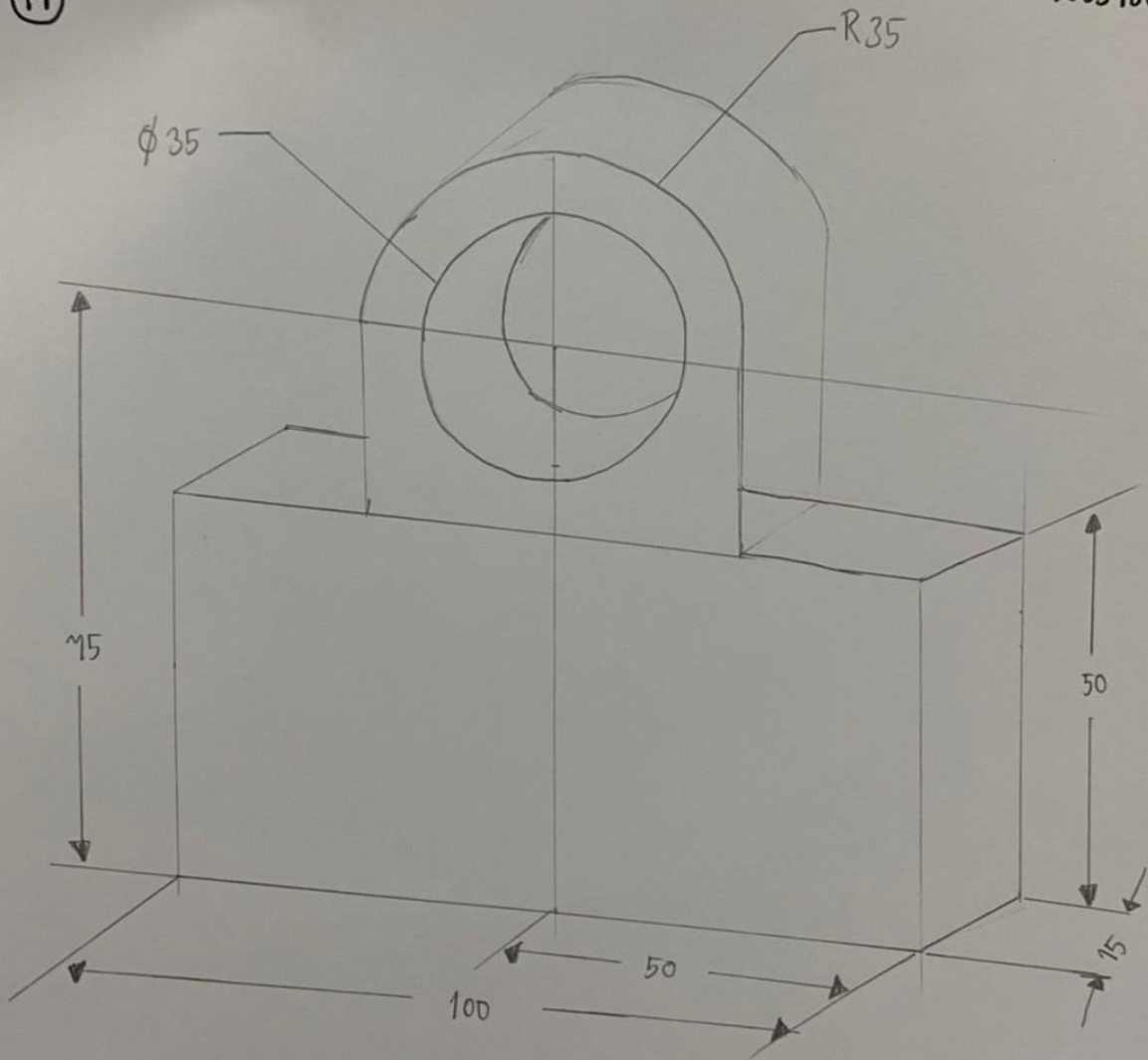
หน้าผู้สมัคร ชื่อ
406398003



చతుర్థాంశం పాఠం

406398003

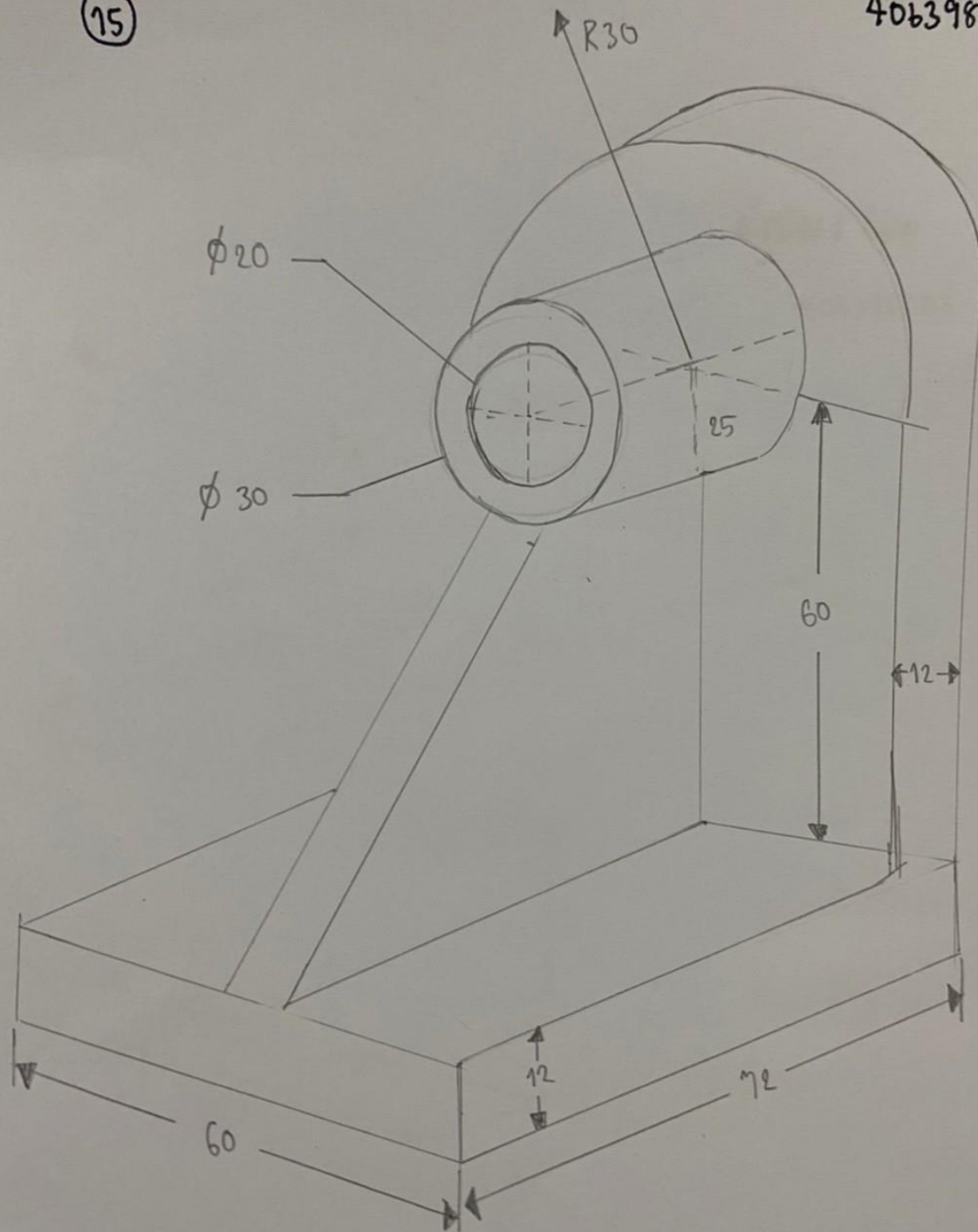
(14)



ณัฐภัทสร อีเนอ

406398003

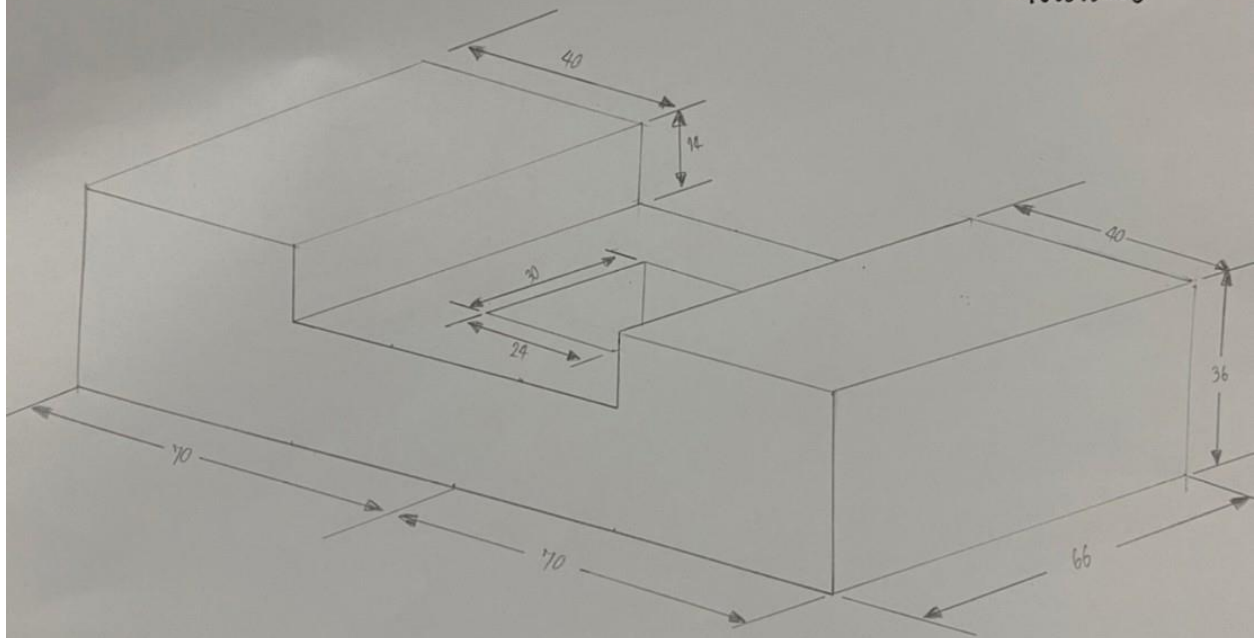
(15)



16

ជំនួសសរ ចំណេ

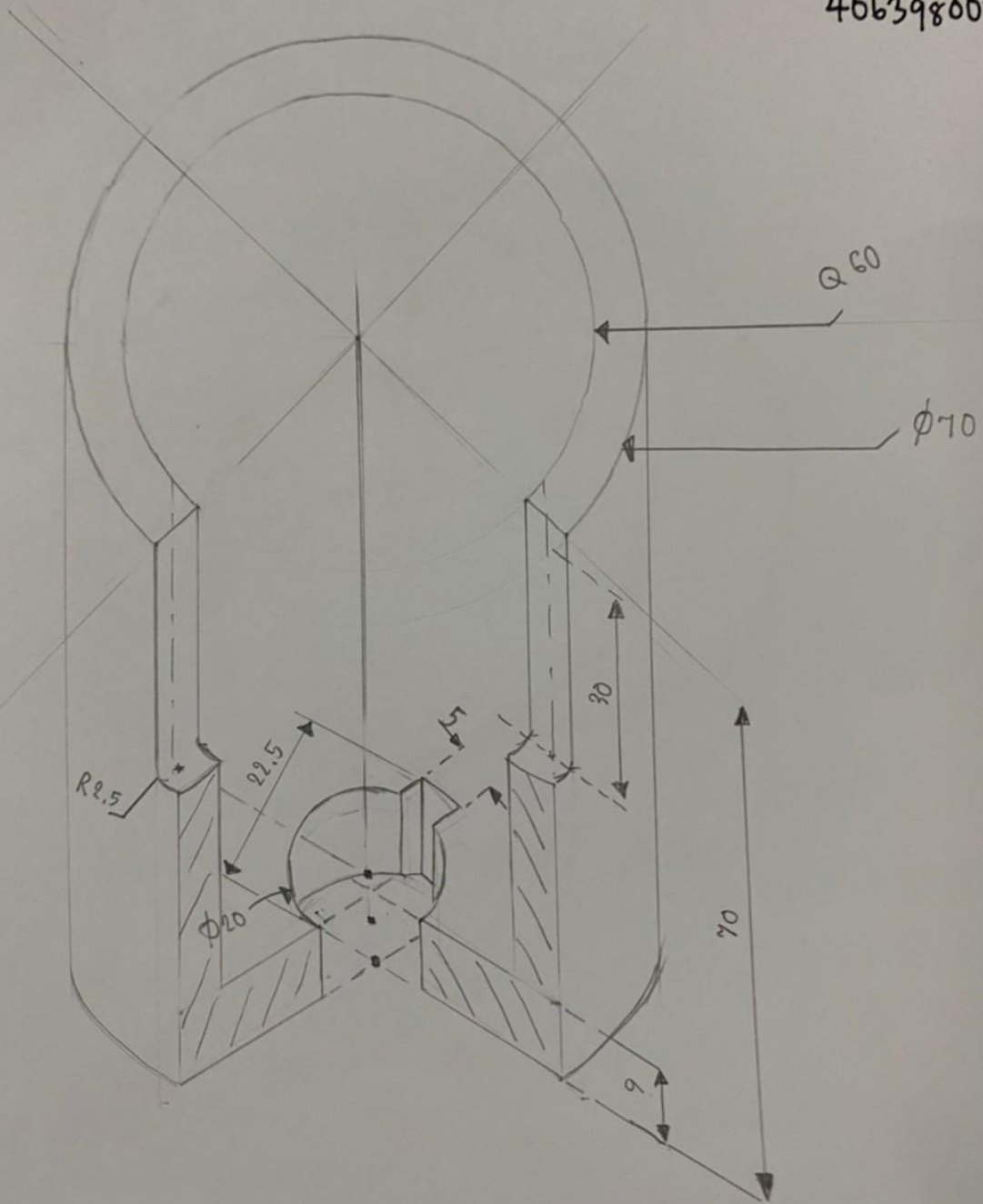
406398003



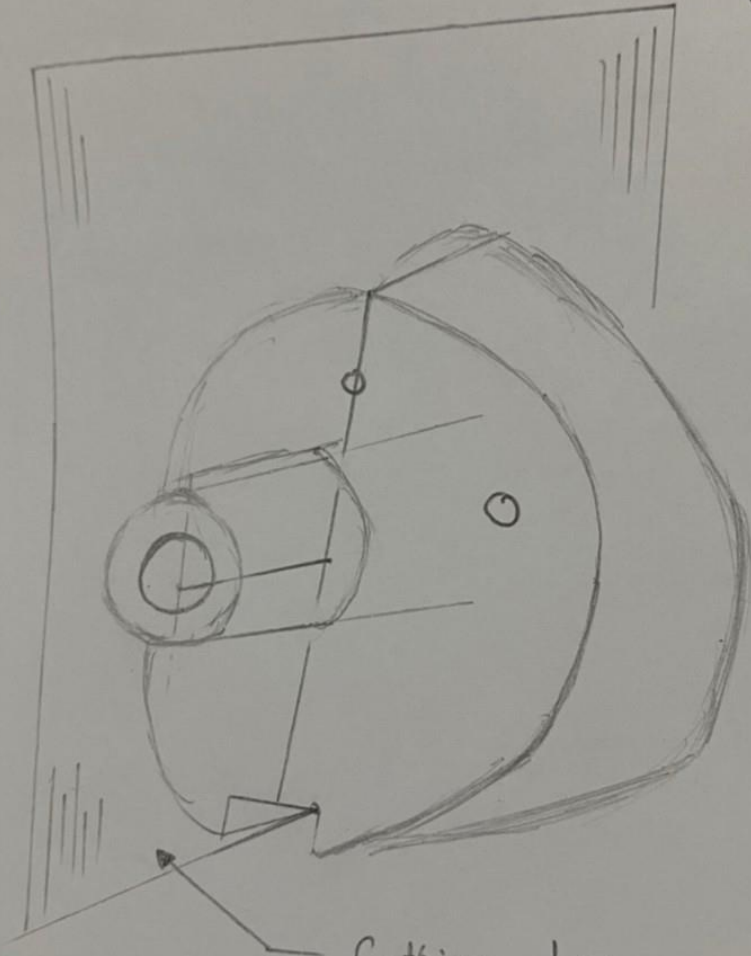
17

ઈજોપ્લસ ઓબ

406398003



18



ନିର୍ଦ୍ଦେଶକ ବି.ଏ

406398003

Cutting plane.

မိန့်ရိသော ဝိသေ
406398003

20

